

Now KFCC Preferred
Holding Solution



CVap® Flip Door Holding Cabinets

CVap Holding Cabinets with flip doors are the latest addition to Winston's holding line.

Available in convenient counter top and full sizes, there are configurations to fit every need.

**Easy Refilling
and Packing**

**Magnetic
Hinges**



HOV7-14SP

CVap gives you consistent food quality. Our flip door cabinets allow you to pack from the front while keeping the fried chicken hot.

Flip up doors stay in place to make refilling and boxing easy. Patent-pending magnetic hinges won't wear out over time. See-through doors mean you always know how much inventory is available.



**View Inventory
at a Glance**

HOV7-05SP



Steve Wildrick
YUM! Brands Account Manager
swildrick@winstonind.com
502.762.7122



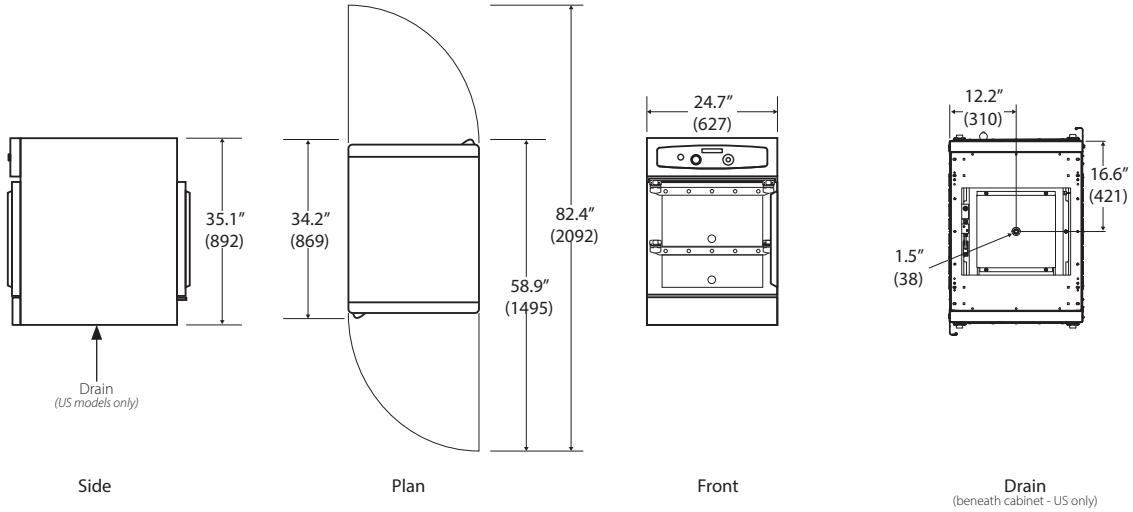
Approved for



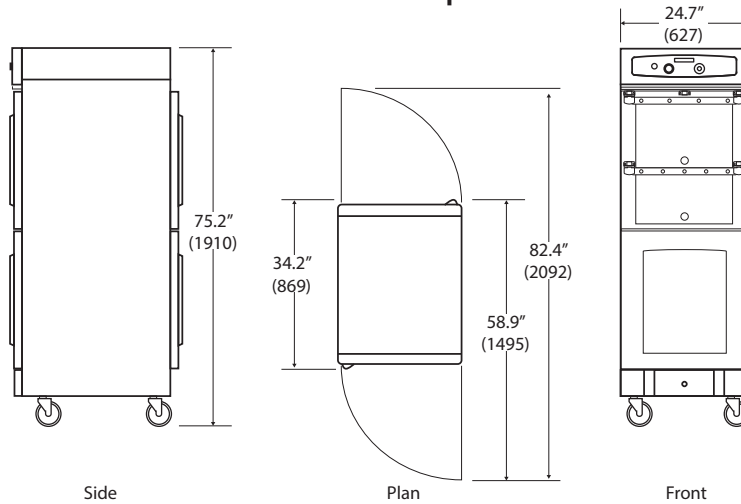
CVap® Flip Door Holding Cabinets

HOV7-05SP Spec

Designed to be placed flush on countertop. Center drain.



HOV7-14SP Spec



Drawings may not be to scale.

Model #	Capacity		Exterior Dimensions			Electrical					Door Config	
	Sheet Pan (18" x 26")	Half Sheet Pan (18" x 13")	Height IN.(MM)	Depth IN.(MM)	Width IN.(MM)	Volts	Phase	Watts	Amps	NEMA***	Front Door	Rear Door
HOV7-05SP	5	10	35.1(892)*	34.2(869)	24.7(627)	120	1	2292	19.1	5-20P	Flip Door	Flip Door or Window
						230	1	2292	9.7	***		
HOV7-14SP	14	28	75.2(1909)**	34.2(869)	24.7(627)	120	1	2491	20.76	5-30P	Flip Door or Window Top/ Window Bottom	Flip Door or Window Top/ Window Bottom
						230	1	2491	10.83	***		

*Based on flush countertop installation. International units may differ, depending on specific installation. **Based on use of 5" heavy duty plate casters. ***NEMA - US orders supplied with 84" (2134mm) (minimum) power cord and plug. The input average of current did not exceed the allowable amperage for the circuit listed. International order shipped with cord, but without plug.

WATER FILL: Low water detection. Auto-fill included. Low mineral potable water recommended, otherwise use deionizer/demineralizer to minimize corrosion damage.

INSTALLATION REQUIREMENTS: Units to be installed with 2" (51mm) clearance on sides and may not be installed within proximity to anything emitting heat that would allow the exterior of the Winston cabinet to exceed surface temperatures of >200°F. Refer to owner's manual for specific installation requirements.

INDUSTRY COMPLIANT: Equipment complies with domestic and most international requirements; such as UL, C-UL, UL Sanitation, CE, MEA, EPA202, and others.

DRAIN: US locations will have drain located at the center of the cabinet bottom. International locations will receive the standard front ball valve drain.

See KFCFryers.com for standardized specification information.

